

NAO17X35X16-XL

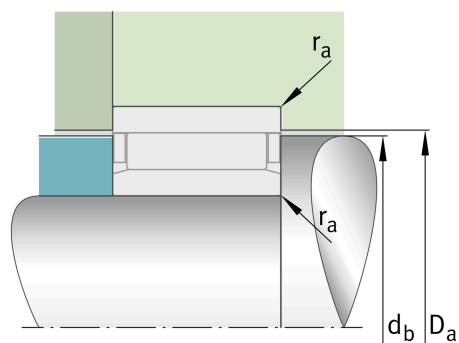
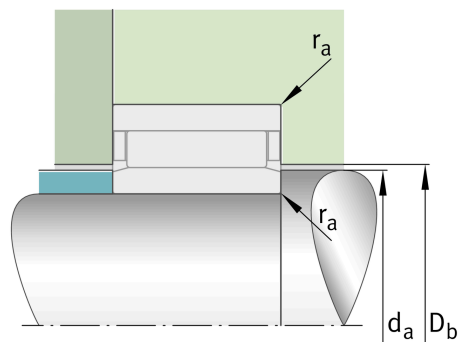
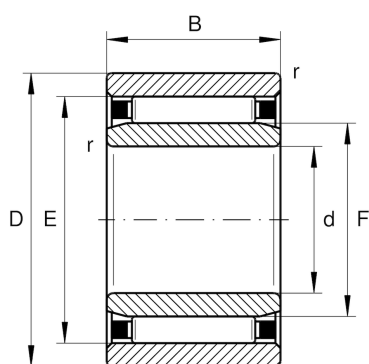
Needle roller bearing

Schaeffler ID:
0507780130000

Needle roller bearings NAO, without ribs

X-life

Technical information



Main Dimensions & Performance Data

d	17 mm	Bore diameter
D	35 mm	Outside diameter
B	16 mm	Width
C_r	22,600 N	Basic dynamic load rating, radial
C_{0r}	25,500 N	Basic static load rating, radial
C_{ur}	4,250 N	Fatigue load limit, radial
n_G	19,200 1/min	Limiting speed
n_{gr}	10,100 1/min	Reference speed
	0.078 kg	Weight

Dimensions

F	22 mm	Raceway diameter inner ring
E	29 mm	Raceway diameter outer ring
r_{min}	0.3 mm	Minimum chamfer dimension
s	0.5 mm	Axial displacement

Mounting dimensions

d_a	21.5 mm	Mounting dimension
D_b	22.4 mm	Shoulder diameter axial guidance NK/housing
d_b	28.4 mm	Shoulder diameter axial guidance NK/shaft
D_a	29.5 mm	Shoulder diameter outer ring
$r_{a max}$	0.3 mm	Maximum recess radius

Temperature range

T_{min}	-30 °C	Operating temperature min.
T_{max}	120 °C	Operating temperature max.

